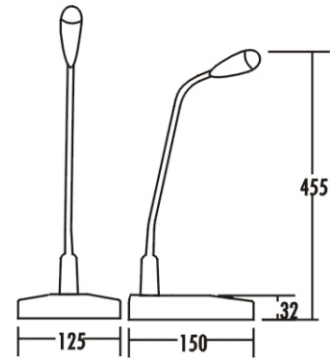




Rear Panel



Specifications

Model	T-621A
Freq Response	50-12000Hz
Impedance	600
Sensitivity	-63dB
Dimensions	125x150x455mm
Weight	1.3Kg
Power	One 9V battery and power adapter