

1 2 3 4 5 6 7

E

E

D

D

C

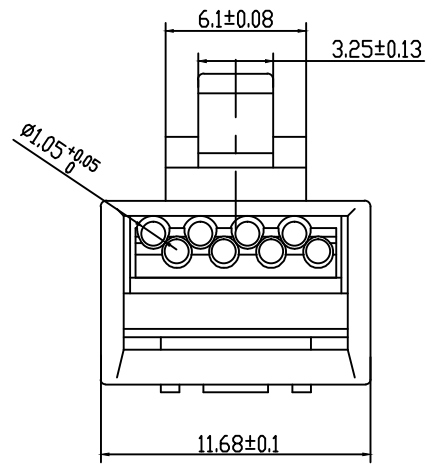
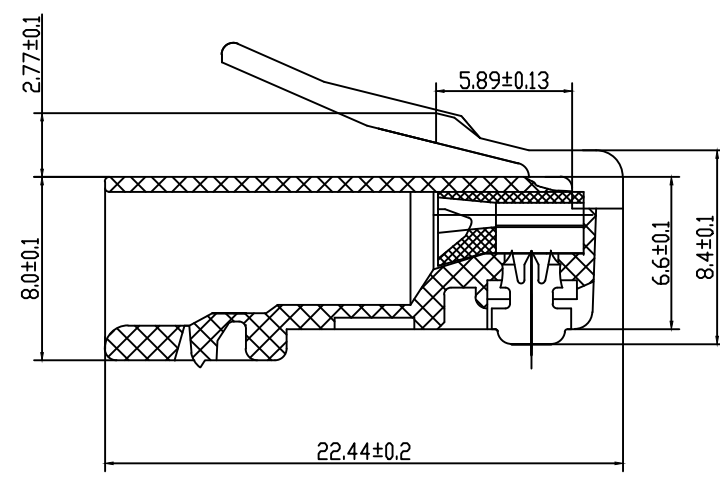
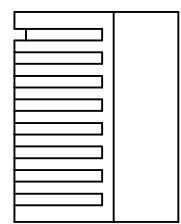
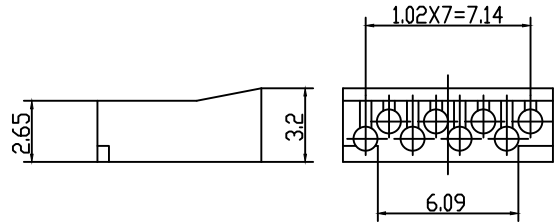
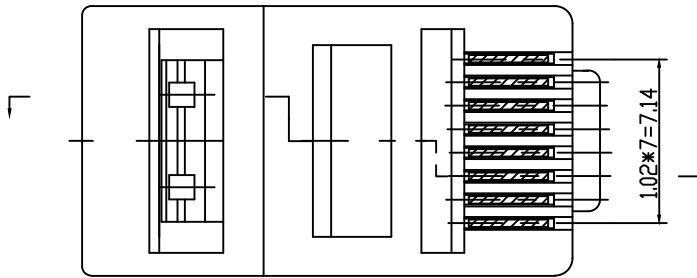
C

B

B

A

A



			Tolerance: X. ±0.5 .X ±0.3 .XX ±0.10	SCALE: FREE	CUSTOMER:		Approved by
			Angle: X' ±3' .X' ±1'	UNIT: mm	CUSTOMER P/N:		Checked by
REV.	DESCRIPTION	DATE		REV.: 00	DWG. No.:	COMPANY P/N: RJ-45-CAT6	Design by XJH
1					TITLE: Cat 6 RJ45 Plug		

1 2 3 4 5 6 7