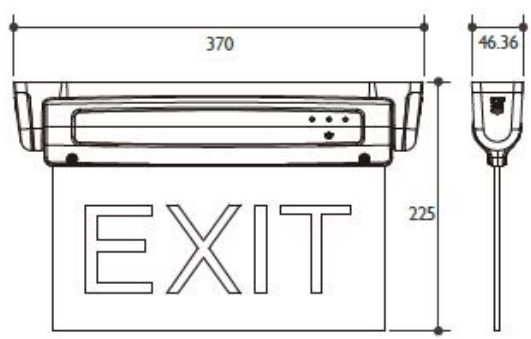


Características Técnicas

LE2912 SEÑAL DE SALIDA LED



Specification	
Model	2912
Mode of operation	Maintained
Supply Voltage	220-240V 50/60Hz
Power Consumption	2W
Output Voltage	3.6V
Output Power	0.3W
Lumen Output	8.6LM
Battery	3.6V500mAh Ni-Cad Battery
Max Charge Current(mA)	46
Max Discharge Current(mA)	138
Charging Time	24H
Discharging Time	6H
Lamp	5pcs super bright LED
IP Rating	IP20
Certification	CE
Packing detail	56.5X39X25CM/10pcs 9.5/8.5KGS