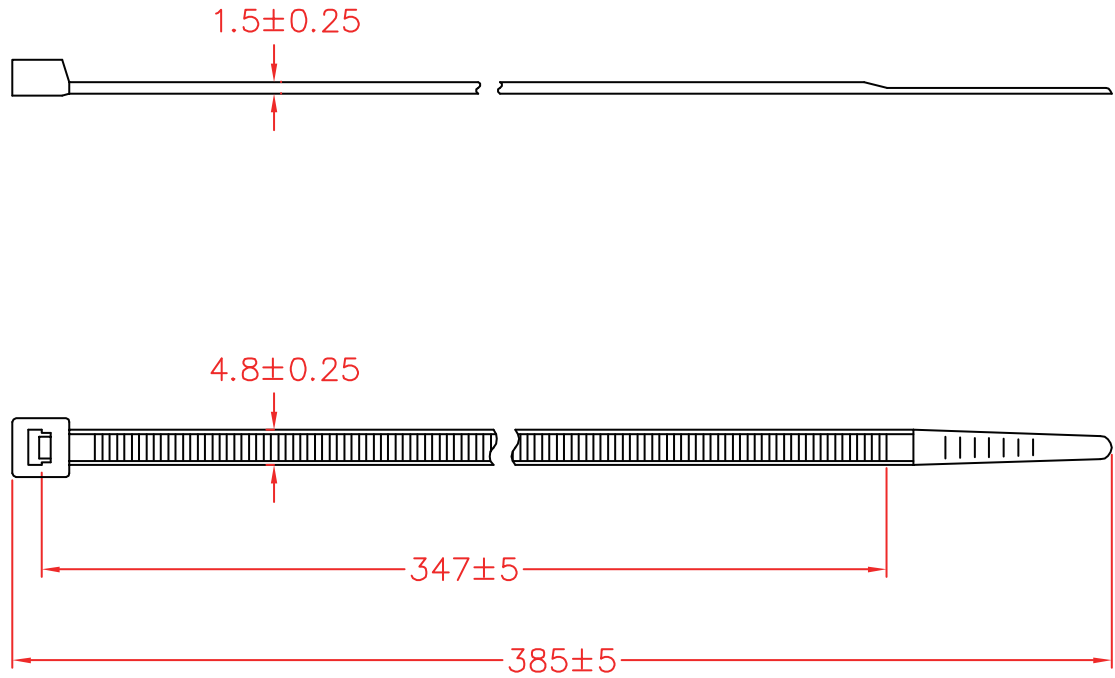


REVISIONS				
RevNo	Description	Date	REVISION	Mender
1				
2				



9				
8				
7				
6				
5				
4				
3				
2				
1	BODY	NYLON 66	UL 94V-2	1
NO	DESCRIPTION	MATERIAL		QTY

KUWES				TITLE NYLON CABLE TIE		
PART NO.	KSGT-385TC	UNITS	MM	UNLESS OTHERWISE SPECIFIED TOLERANCES: 0.5-15 = ± 0.15 15-30 = ± 0.30 30-120 = ± 0.60 >120 = ± 1.00	DESIGNED	LU - HUNG
MODEL NO.		SCALE	FIT		ANGLES $\pm 3^\circ$	DRAWING
DRAWING NO.		EDITION	A1	PUBLISH DATE	APPROVED	JACKIE
CAD FILE				2008 / 08 / 25	3RD ANGLE	