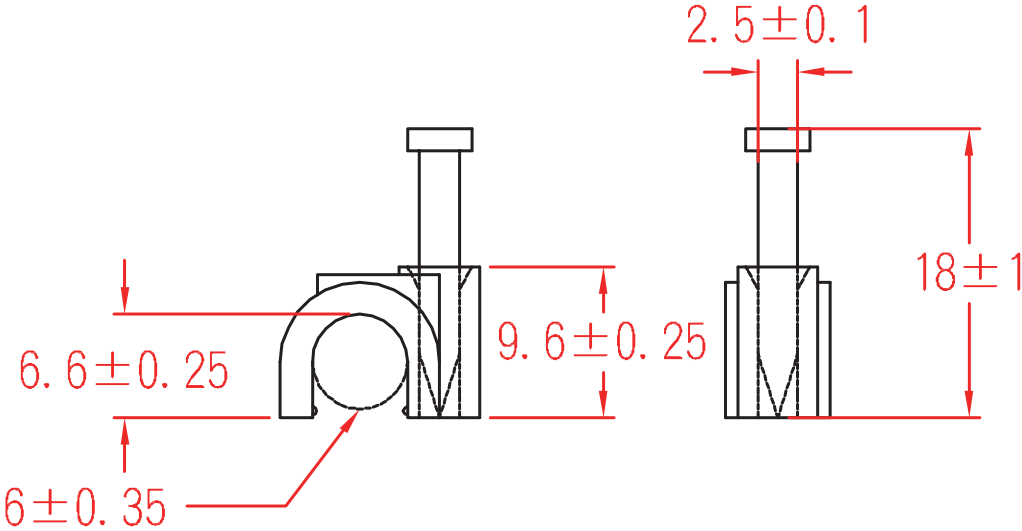


| REVISIONS | | | | |
|-----------|-------------|------|----------|--------|
| RevNo | Description | Date | REVISION | Mender |
| 1 | | | | |
| 2 | | | | |



| | | | | |
|----|-------------|----------|--|-----|
| 9 | | | | |
| 8 | | | | |
| 7 | | | | |
| 6 | | | | |
| 5 | | | | |
| 4 | | | | |
| 3 | | | | |
| 2 | NAIL | STEEL | | 1 |
| 1 | BODY | PE | | 1 |
| NO | DESCRIPTION | MATERIAL | | QTY |

| | | | | | | |
|--------------|---------|---------|-----|--|-----------|-----------|
| KUWES | | | | TITLE NAIL CABLE CLIP | | |
| PART NO. | KSGC-1N | UNITS | MM | UNLESS OTHERWISE SPECIFIED TOLERANCES: 0.5-15 = ±0.15 ANGLES ±3° 15-30 = ±0.30 30-120 = ±0.60 >120 = ±1.00 | DESIGNED | LU - HUNG |
| MODEL NO. | | SCALE | FIT | | DRAWING | XIE - LA |
| DRAWING NO. | | EDITION | A1 | PUBLISH DATE | CHECKED | KEVIN |
| CAD FILE | | | | 2008 / 09 / 12 | APPROVED | JACKIE |
| | | | | | 3RD ANGLE | |