

## Warranty



To receive after-Sale service, have the following ready when you contact our branches

1. Name of the product
2. Model number of the product
3. The area of problem
4. Phone number and address at which you can be contacted.

## Warranty Card

PRODUCT	
MODEL	
DATE PURCHASED	
WARRANTY PERIOD	
AGENCY ADDRESS	

### ■ KOCOM Warranties the original purchaser of this product as follows.

- 1) This product is produced under strict quality control and inspection procedures.
- 2) If this product breaks down during proper use as a result of product defect, KOCOM will repair it within one year from date of purchase free of charge.
- 3) The following cases will be subject to charge, even during warranty period:
  - a. Breakdown during transport, or through careless treatment, by consumer.
  - b. Breakdown cause by unauthorized repair, or system modification.
  - c. Breakdown caused by natural disaster or power disorder.

This manual is based on the date as shown in the right and specifications are subject to change without notice for quality improvement.

KIP-120 06. 06

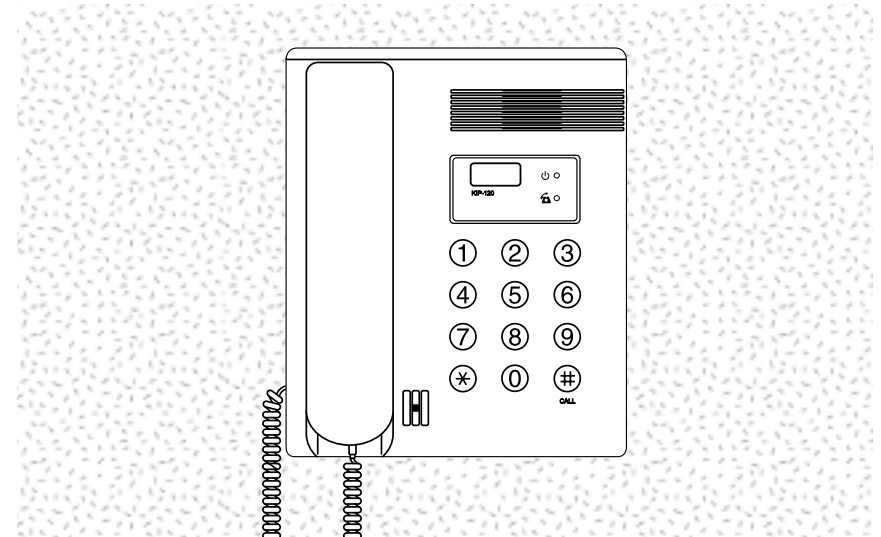
# KOCOM

## Guard Phone for Apartment Unit

KIP-120 User's Manual for Operation and Installation

### ◆ Key Features

- FND indication (House no. Guard master & Main gate access panel ID display)
- Call & communication with residents & extened Guard master
- Communication with main gate camera (panel) & door open function (KLP-C100, KLP-100, KLP-P100 & KDP-100)
- Upto 3pcs of KIP-120 extension in a system
- Powered from main power



KOCOM CO.,LTD.





# Cautions for Safety

For safe use, please stick to the following cautions.

- Read this cautions carefully and keep it within easy reach of you.
- For right installation, read this cautions thoroughly. Please install the product according to its specifications.
- This Cautions for Safety may include items that are not contained in specifications of the product that consumer purchases.
- Reading this cautions, use the product in a right manner. For further information, please contact our A/S center.

## About Symbol

A variety of symbols are used in this Cautions for Safety and your products to guide you to use products in a right and safe manner and to prevent possible risks for users and other persons and damages to their property. The meaning of each symbol is as follows. After fully aware of meaning of each symbol, read the following cautions.

	This symbol means that wrong handling or ignorance of matters that this symbol indicates may cause serious injury or even death of user.
	This symbol means that wrong handling or ignorance of matters that this symbol indicates may cause serious injury or property damage of user.
	This symbol means the matter that user should not do at nay event.
	This symbol means that user should follow the instructions.

## Symbols on Drawing



This symbol means that contents (high voltage, electric shock, warnings, etc.) to which user should pay attention are included.



This symbols means that a certain action is not permitted. Specific points not permitted are depicted around this symbol (for example, in the left drawing, disassembly is not permitted.).



This symbol means instructions or is used to force user to do a certain action. Specific instructions are depicted on the drawing (for example, the left drawing instructs user to detach power plug from an outlet).



## Warnings



### Warnings for disposal

- Do not throw used-up battery into fire places, which may cause fire and explosion.



## Cautions



### Cautions for installation

- The relevant law obliges users to have a qualified electrician carry out wiring work for power supply. Work by disqualified persons may cause fire and electric shock.
- Wiring work for communication cables needs techniques and experiences. For this type of wiring work, please consult to your local sales agent.
- According to the standard for electric work and other relevant regulations, install communication cables at the place away from power cables. The failure to install cables separately may cause fire, electric shock and communication troubles.
- Do not install the product on rolling table or sloping place.  
Dropping or falling may cause damage on your product.
- In installation, avoid the place exposed to tremor or shocks, which may cause damages on your product.
- Even if your product is waterproof, do not install it slanted place of water leakage, which may cause a short circuit.
- For the product of wall-mounting type with fixing pegs, keep it safely.  
Fixing pegs may cause injury of user.



- Install the product of wall-mounting type carefully not to drop from the wall. Dropping due to earthquake or tremors may cause injury of user.



- When installing the product on the wall, consider the thickness and material of the wall.  
Dropping in use may cause injury of user.



### Cautions for Use

- Do not put heavy thing on the product. Dropping or falling due to heavy things on it may cause injury of user.



### Cautions for Repairs and Maintenance

- Clean the dust inside the product regularly. Failure to clean the dust for long time may cause fire. For inspection and cleaning of the inside of product, please contact your local sales agent.



- When putting your hands into the inside of equipment, be sure that plug is already detached form an outlet or circuit-breaker is turned off.



- Be careful not to expose the product to benzene, thinner or hot water.
- Do not expose detergent directly to the product in a way of spaying, etc.



- Moving equipment, be sure that the plug is detached from an outlet.
- For equipment whose cables are connected to terminals, please contact your local sales agent or qualified electrician.



- When replacing old fuse with new one, do not directly touch it with bare hands.  
Use insulated tools or contact A/S center.



## Warnings

### Cautions for Use

- Do not install the product at bathroom or at the place near a washing machine, or at other humid places. It may cause fire or electric shock.
- Do not install the product at the place near a dresser, humidifier or heater. Also avoid the place exposed to spark, heat or humidity. All of them may cause fire and electric shock.
- Do not install the product at the place exposed to dust, metals and harmful gas such as hydrogen sulfide gas, all of which may cause fire and electric shock.
- Do not install the product at the place exposed to water and chemicals. This may cause fire and electric shock.
- Do not scratch, break or arbitrarily process power cable, which may cause fire and electric shock. Putting a heavy thing on a cable, heating it or pulling it may cause impairment on it.
- Do not place power cable at the place near heating equipment. It may cause damage of cable's clothing material, which result in fire and electric shock. When detaching plug from an outlet, do not pull power cable.
- Damages on power cable may cause fire and electric shock. When detaching plug from an outlet, please hold the plug tightly.
- Do not detach plug from an outlet with wet hand. It may cause electric shock.



- When using the existing wiring, be sure of the suitability of it to the product and install the product. Failure to this caution may cause fire.



- When moving equipment, be sure that plug is detached from an outlet and communication cable is disconnected. Damage on cables may cause fire.



- Voltage other than prescribed rated voltage is not permitted, which cause fire and electric shock.

- Do not use power terminal of product's main body in other equipment than prescribed ones. It may cause fire and short-circuit.



- In wiring work, use the designated wiring materials. Wiring work using other materials than designated ones may cause fire.



- The equipment without waterproof marking shall not be installed at the place water leaks. It may cause electric shock and short circuit.

- When working, be sure that power is disconnected. Failure to disconnect power may cause electric shock.



- Be sure that the power cable is connected and earths according to designated method. Failure to connection and earth may cause fire.



- Do not connect power to other terminals than designated ones.

- It may cause fire and electric shock.



- When building a system with the product, do not connect the product other equipment than designated one. It may cause fire.



- When installing A/C switch, do work after removing the substance that may cause short circuit or electric shock.

- Before installing or providing A/S service, be sure that the power is disconnected.



## Warnings

### Cautions for Use

- This product is only for home. Do not use the product for industrial or military use.
- Do not handle the equipment with wet hand, which may cause electric shock.
- Do not place wet or metallic materials on equipment. Water leakage or intrusion of metallic materials may cause fire and electric shock.
- Do not block the ventilating opening of equipment or put alien substances into it, which may cause fire and electric shock.
- Do not use battery that is not designated or mix new battery with old ones. Insert batteries to fit their polarity. Explosion or leakage of battery may cause fire and injury of user.
- When visitor's image or voice is not displayed on screen or not sounded from speaker, please check his/her identity before opening the door and contact our A/S center.
- Do not use equipment when lightning is expected or strokes. It may cause fire and electric shock.



- Do not open rear cover, cabinet and cover of equipment. It may cause electric shock.



- Do not modify power cable or pull it with excessive strength, which may cause fire and electric shock.
- Do not modify equipment. It may cause fire and electric shock.
- Call signal may cause damage on user's hearing ability.

### Cautions for Abnormality

- When power cable is broken (exposure of core or short-circuit), do not fail to replace broken cable with new one. Failure to replace broken power cable may cause fire and electric shock.
- When detecting any abnormalities in equipment (communication is not available, images do not be displayed on screen, calling is not available, or abnormal sound is heard), immediately detach plug from an outlet, or turn off circuit breaker or detach batteries from equipment (in case that equipment has no plug) before requesting repairs to sales agent or A/S center. Keeping connection to power supply may cause fire and electric shock.
- When alien substances go into equipment, immediately detach plug from an outlet, or turn off circuit breaker or detach batteries from equipment (in case that equipment has no plug) before requesting repair to sales agent or A/S center.
- In the case of smoke or smell of unknown origin from equipment, keeping use it may cause fire and electric shock. Detach plug from an outlet, or turn off circuit breaker or detach batteries from equipment (in case that equipment has no plug) and be sure to check no more smoke or smell from equipment before requesting repair to sales agent or A/S center. Since personal repairing work by user may serious accidents. In any case, do not repair equipment with your own hand.
- When dropping equipment or breaking its cabinet, detach plug from an outlet, or turn off circuit breaker or detach batteries from equipment (in case that equipment has no plug) before requesting repair to sales agent or A/S center. Keeping use equipment may cause fire and electric shock.
- Avoid direct exposure to sunlight and store equipment at the place free from dust and high temperature as you can. High temperature of equipment may cause fire and electric shock.



## Safety Instructions, Warnings, and Cautions of Each System

- This equipment is electronically precision equipment, so do not arbitrarily disassemble it.
- In installation of the product, do not fail to follow the specifications (specifications offered by KOCOM).
- Do not touch the product with alien materials (for example, sticker, magnet, opener, metal chopstick, etc.) or insert them into the product (it may cause reduction of the product's durability and harmful results to user as well).
- In the rainy season, water is likely to penetrate into the product along the wiring. Thus, U-type finishing is recommended as a desirable method of end part finishing.

### System for Multi-unit Housing

- In installation, be careful that other wiring or metallic substances should not contact to the system for multi-unit housing.
- In installation, be careful that alien substances should not go into the system.
- Before installation, be fully aware of wiring specifications of each model.
- In installation, be sure that the length and dimension of wiring meet the requirement prescribed in installation manual.
- Excessive strength and external shock may cause mechanical breakdowns of equipment.
- Do not arbitrarily open the case of the product  
(When user opens the case arbitrarily, KOCOM may reject to provide A/S service).

### Lobby Phone: KLP-(100, 104, 108, 112), KLP-(P100, P104, P108, P112), KDP-(100, 104, 108,112)

- A stroke of lightning or strong shock may give fatal and adverse effects on system. Thus, do not fail to ground the system.
- For registration of household password, please refer to user manual of the concerned product (it is applied to ten-key lobby phone products [KLP-100, KLP-P100 and KDP-100]).

### Image Splitter: KSV-104P

- An image splitter can support up to four households.
- In the case of over four householders, additional image splitters are needed.

### Image Amplifier: KHU-102P

- In installation, follow the specification for image in/output.

### Video Phone

- In assembling the product, be careful that wall-mounting pegs should not contact with wirings.
- In connection of cables, strip its insulation off as much as necessary (Excessive stripping off its insulation may cause short circuit).
- Be careful that signal cables should not be wired with A/C wiring (it may cause poor display quality).
- Do not drop handset (its damage or short-circuit due to drop may make communication impossible).
- When connecting wires to terminals, use standard screwdriver (otherwise, screws may loosen, which will result in disconnection of wiring).
- Do not clean CRT screen with wet towel or cloth. When water penetrates into the product, it may cause short-circuit.  
Do not fail to clean it with dry towel or soft cloth.
- Do not install camera at the place where water penetrates or leaks. Penetration or leakage of water may cause electric shock or short circuit.

### Home Auto: KHV-444/454/446/456

- Do not insert any metallic materials into the inside of fuse cover. It may cause electric shock.
- Do not close ear to speaker. Abrupt call or signal may give harmful effects on user's hearing.
- After turning power on and off, check again that input contents are saved correctly. Otherwise, data may be missed when auto-signal mode operates.
- Use a standard detector. Non-standardized detectors are likely to cause fire due to excessive voltage or current.
- Please install motion detector at a place easily detect the motions of subjects. When detector is installed at a wrong place or obstacles block the front side of detector, it cannot work well.
- When setting night guard mode, be sure that detector should be connected well.
- Sufficiently charge the battery of wireless handset before using it. Be careful that children should not throw battery. Be sure to close battery cover (When children throw or disassemble battery, it may cause serious accidents).
- Be careful that the polarity of the product matches to that of guardroom communication cable. When polarity is reversed, it may cause abnormal operations of the product or apartment system as a whole.

### 4-Line Related Products: KVM-930, 931, 960, IP-203APB, AM-10KP, KCV-344/354

- In wiring work, be careful that wirings should keep away from the wall-mounting pegs or other furniture at regular interval. Contact of wiring with wall-mounting pegs, etc. may cause short-circuit, electric shock and fire (it is applied to all products with wall-mounting pegs).
- Use the prescribed standard wirings. Non-standardized wirings may give adverse effects on operation of product (it is applied to both video phone and CCTV).

### CCTV Camera

- Do not install at noisy places.
- Do not install at the place exposed to electromagnetic waves.  
Excessive electromagnetic waves may cause continuous noise on screen and mechanical troubles.
- When installing camera outdoor, please put it in the outdoor case. Otherwise, when it rains, the camera may be broken or operate incorrectly.
- Install the product at well-ventilated places.
- Do not use the product for medical or military uses.
- Do not install the product at humid places. It may cause reduction of the product's durability as well as fire and electric shock.
- When lens is stained with alien substances, clean it with soft cloth to prevent the damages on it.
- Install the product out of reach of children.

## Precautions for Operation

As this device consists of electronic precision components, do not attempt to disassemble.

Do not drop this device and avoid strong impact.

When cleaning, do not use wet hand, volatile benzene or paint thinner.

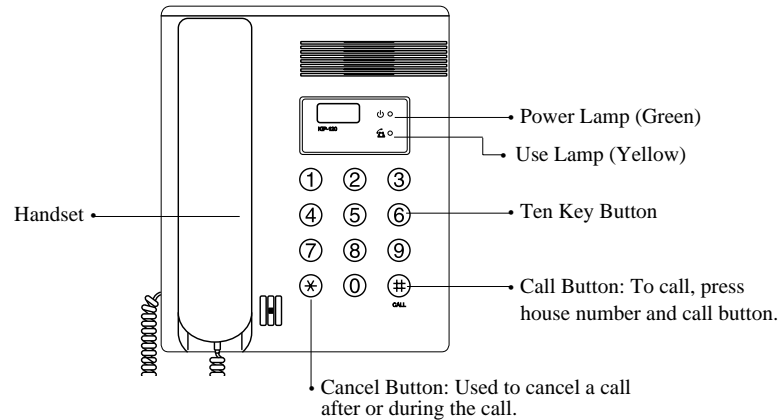
Use soft cloths dipping in neutral detergent to wash this device and dry it with dry clothes.

Keep away from humidifier and stove. High temperature and humidity may cause troubles.

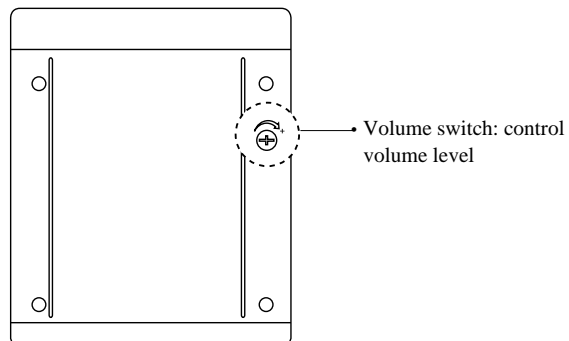
Clean the exterior of this device with soft cloths at times to keep it in clean state.

## Component's Name

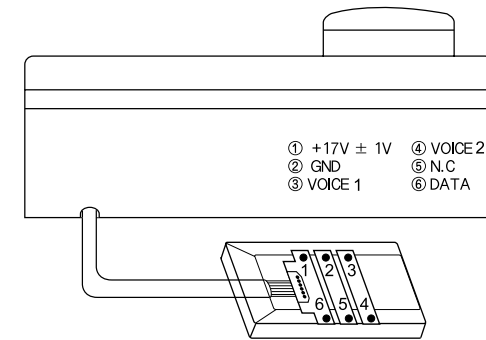
### ■ Front Side



### ■ Rear Side



## Exterior Wiring Diagram



### ⚠ Precautions for Wiring

- As incorrect wiring may cause the device's non-operation or poor communication quality, please carefully conduct wiring work.
- When connecting a wiring chord to a terminal, loosen screw, insert the end of the chord into the bottom part of screw, and tighten the screw.
- When fixing wiring chord, use stapler not to cause damage to the chord.
- When using existing wiring, please be cautious not to cause disconnection and short-circuit.

## Product Specification

<b>Input Power</b>	DC 17V ± 1V(Common power input)
<b>Internal Operation Voltage</b>	DC 12.8V ± 1V
<b>Consuming Electricity</b>	Max 1W (standby mode) / Max 2.5W (operation mode)
<b>Guaranteed Operation Temperature</b>	0 ~ +50° C
<b>Communication Mechanism</b>	Balance Circuit
<b>Communication Method</b>	DUPLEX HANDSET CONVERSION
<b>Melody</b>	TONE SOUND (interphone, video phone and lobby phone)
<b>Wiring</b>	5-line polar wiring (VCC / GND / Voice 1/ Voice 2 / DATA)
<b>Wiring Distance</b>	Within power(+GND) 1.2 φ 300M
<b>Dimensions</b>	W (165 mm) x H (220 mm) x D (80 mm)

## Functional Specification

Interlocking indoor units with KIP-120 (Guard master) are limited as below.

- Video phone monitor : KIP-202, KIV-D202, KIV-102, KIV-D102 & KVM-520
- Audio phone handset : KIP-603
- Main gate access panel (Lobby phone)

Color video lobby phone : KLP-C100, KLP-C104, KLP-C108 & KLP-C112

B/W video lobby phone : KLP-100, KLP-104, KLP-108, KLP-112, KLP-P100, KLP-P104, KLP-P108, KLP-P112

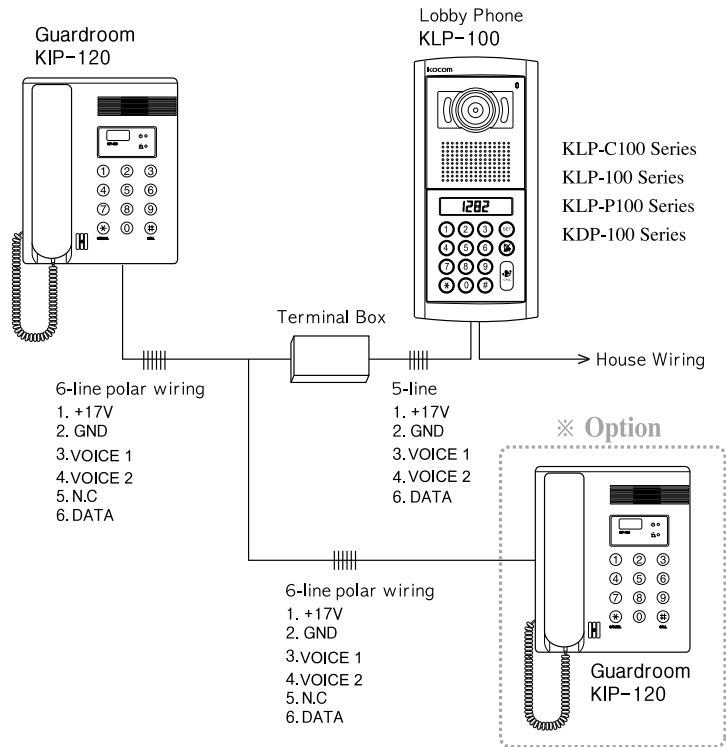
Audio lobby phone : KDP-100, KDP-104, KDP-108, KDP-112

- Guard master : KIP-120

### ■ Wiring Specification

Based on the Bus type wiring system, the 5 lines (+17V, GND, VOICE1, VOICE2 & DATA) are connected to the main line in polarity.

In case the distance between KIP-120s and Lobby phone is over 30M or one more KIP-120 is extended, the additional power supply (DC17V/1.3A) should be added in a system.



### ■ Call Volume Control (VR1)

Using volume switch in rear side, the call volume sound can be adjusted.

### ■ KIP-120 Guard master ID setting

In case the additional KIP-120 is extended in a system, the KIP-120's each ID should be set up.

Please be noted that if the same ID number is used and set, there might be communication error & malfunction.

Main : ID 70 (ID 70 is set as factory default and do not need to set ID.)

Sub : ID 71 ~ ID 79 (Set the ID between number 71 to 79)

## Instruction for Operation

### 1) Main ID Setting

As the ID 70 is set in factory default, you do not need to set it again.

### 2) Sub ID Setting

Pick up the handset. → → Press "#, #, 0, 0, #" button in order. → → Press the desired number between 71 and 79. → (Ex. ID71) → Press "#" button → → -OK- mark displays. → Return the handset. → New ID number is displayed in FND window.

### 3) Communication with extended guard master

Pick up the handset. e Press guard master ID number. (Ex. 71) → Press "#" (Call) button.

→ Once it is answered, the line is connected.

### ■ Communication with resident (indoor units)

#### 1) Answering

When the resident makes the call to the guard house, the call (tone) sound from KIP-120 is ringing for 30 seconds.

(The house number is displayed in FND window.)

At this time, once the handset of KIP-120 is picked up, it is connected with resident.

After conversation, if the handset of KIP-120 is returned, the line is disconnected.

In case more than one KIP-120 guard master is extended in a system and resident makes the call to the guard master KIP-120, all guard master KIP-120 in a system rings at same time. And first picked up guard master KIP-120 is connected with resident. (house indoor unit)

#### 2) Calling

In order to make the call to the house, pick up the handset, press the certain house number using ten key button and press "#" (call) button.

Then, the call sound from certain house unit is ringing for 30 seconds.

Once the resident being called answers the phone, the line is connected for 3 minutes.

After conversation, if the handset of KIP-120 is returned, the line is disconnected.

### ■ Communication with lobby phone and door open function

#### 1) Answering

When the visitor from lobby phone (KLP-C100, KLP-100, KLP-P100 or KDP-100 only) makes the call (using number "0" + call button on the lobby phone)

to the guard house, the call (tone) sound from KIP-120 is ringing for 30 seconds. (The lobby phone ID is displayed in the FND window.)

Once the handset of KIP-120 is picked up, the line is connected with the lobby phone.

After conversation, if the handset of KIP-120 is returned, the line is disconnected.

In case more than one KIP-120 guard master is extended in a system and visitor from lobby phone makes the call to the guard master KIP-120,

all guard master KIP-120 in a system rings at same time. And first picked up guard master KIP-120 is connected with visitor (lobby phone)

#### 2) Door open

During communication with visitor from lobby phone (KLP-C100, KLP-100, KLP-P100 or KDP-100 only), if the "#" button on the KIP-120 is pressed,

the main gate is opened. (In case the door opener is equipped with the system.)