

DH-IPC-HDBW3300

3.0 MP Full HD Vandal-proof IR Network Dome Camera



DH-IPC-HDBW3300P: 3.0 MP CMOS, Max 20fps@3.0M and 25fps@1080P, 4.5~10mm lens, IR LED, PoE, IK10, IP66

DH-IPC-HDBW3300N: 3.0 MP CMOS, Max 20fps@3.0M and 30fps@1080P, 4.5~10mm lens, IR LED, PoE, IK10, IP66

Features

- > 1/2.8" 3.0 MP PS Exmor CMOS image sensor
- > High-performance TI DaVinci series DSP
- > H.264/MJPEG video compression and JPEG image capture
- > Support dual-stream encoding
- > Max 20fps@3.0M(2048×1536) and 25/30fps@1080P(1920×1080) resolution
- > Support ICR true Day/Night
- > Built-in 4.5~10mm/F1.6 CS Auto Iris lens
- > Built-in high-performance IR LEDs(10~20m)
- > Support Alarm I/O
- > Support up to 32GB Micro SD card for local storage
- > Support DC12V/AC24V dual power supply, PoE
- > IK10-rated Vandal-proof & IP66 Water-proof
- > Built-in Web server, NVR, CMS(PSS/DSS) & DMSS

DH-IPC-HDBW3300

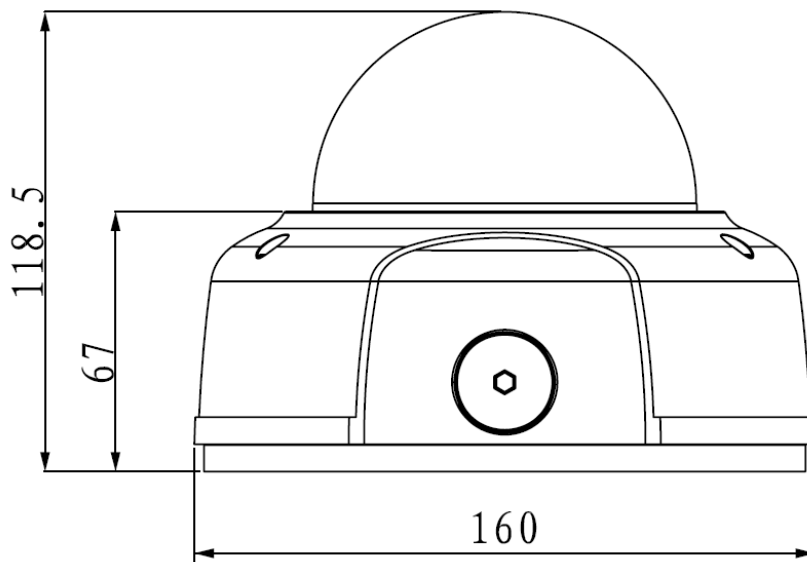
Specifications

Model	DH-IPC-HDBW3300P	DH-IPC-HDBW3300N
General		
Processor	TI DaVinci Series DSP	
Operating System	Embedded LINUX	
Resource	Simultaneous remote monitoring, local recording and remote control	
User Interface	WEB, CMS(DSS/ PSS), DMSS, NVR	
Camera		
Image Sensor	1/2.8" 3.0 MP PS Exmor CMOS	
Effective Pixels	2096(H)×1561(V)	
Electronic Shutter	Auto/Manual, 1/50~1/10000s	Auto/Manual, 1/60~1/10000s
Mini. Illumination	0.2LUX/F1.6(Color), 0.01LUX/F1.6(B/W), 0LUX(IR on)	
Signal Noise Ratio	> 50dB	
Gain Control	Auto/Manual	
White Balance	Auto/Manual	
Day/Night	ICR	
Lens	CS mount, Auto Iris, 4.5~10mm /F1.6	
Video		
Video Compression	H.264/MJPEG	
Image Resolution	3.0M(2048×1536) / 1080P(1920×1080) / 720P(1280×720) / D1(704×576) / CIF(352×288) / VGA(640×480)	3.0M(2048×1536) / 1080P(1920×1080) / 720P(1280×720) / D1(704×480) / CIF(352×240) / VGA(640×480)
Encoding Speed	Main Stream: 3.0M(1~20fps), 1080P/720P/ D1/CIF/ VGA(1~25fps) Extra Stream: D1/CIF (1~25fps)	Main Stream: 3.0M(1~20fps), 1080P/720P/ D1/CIF/ VGA(1~30fps) Extra Stream: D1/CIF (1~30fps)
Bit Rate	160K~8Mbps	
Snapshot	Fastest 1fps JPEG capture	
Video Format	PAL	NTSC
Analogue Video Output	1 channel BNC(1.0Vp-p, 75Ω)	
Audio		
Audio Compression	G.711a / G.711u / PCM	
Bit Rate	64kbps/128kbps	
Input	1 channel RCA	
Output	1 channel RCA	
Network		
Ethernet	RJ-45 (10/100Base-T)	
Network Functions	HTTP,TCP/IP,ARP,IGMP,ICMP,RTP,RTSP,UDP,RTP,SMTP,FTP,DHCP,DNS,DDNS,PPPOE,UPNP,NTP,Bonjour,SNMP	
Remote Operation	Monitor, PTZ control, Playback, System setting, File download, Log information, Maintenance & Upgrade	
Auxiliary Interface		

DH-IPC-HDBW3300

MicroSD Card	Max 32GB, local storage
Alarm	2 Input / 1 Output
Environmental	
Power Supply	DC12V/AC24V, PoE
Power Consumption	<10W
IR LEDs	10~20 meters
Ingress Protection	IK10 & IP66
Operating Environment	-10°C~+60°C, 10%~90%
Dimension	Φ160mm×118.5mm
Weight	1.25kg

Dimensions (mm)



Dahua Technology Co., Ltd.

1187 BinAn Road, Binjiang District, Hangzhou, China

Tel: +86-571-87688883

Fax: +86-571-87688815

Email:overseas@dahuatech.com

www.dahuatech.com

*Design and specifications are subject to change without notice.

© 2012 Dahua Technology Co., Ltd.