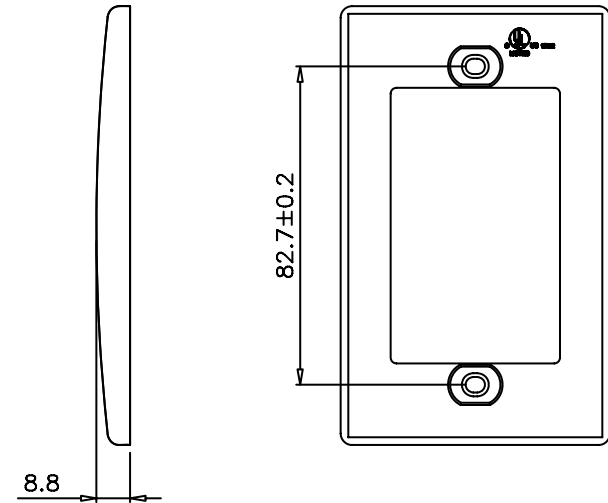
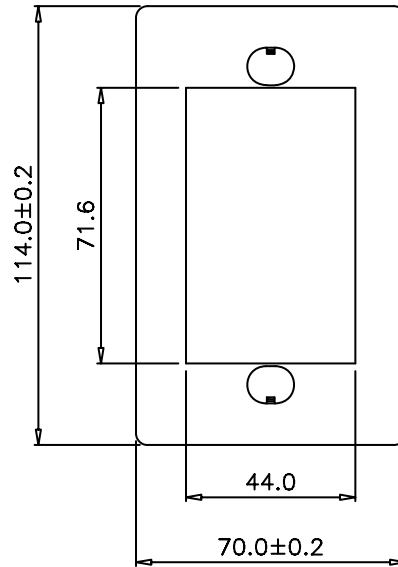


SCALE 1/2



Remark : AKE317A-BN-XX
(1)

(1) XX : Plate Color
WH=White, IV=Ivory

Specification :

Material :

- 1. Plate : ABS, UL 94V-0.
- 2. Dust Cap : ABS, UL 94V-0.
- 3. Screw : 6#32-L25.0mm.

GENERAL TOLERANCE OF DIMENSIONS x.xxx ±0.005 x.xx ±0.05 x.x ±0.1	DRAWING	21.MAY.2010	QIQI	KUWES
	CHECK	21.MAY.2010	JANE	
	APPROVAL	21.MAY.2010	JAIMY	
	DATE		NAME	ITEM NO.: AKE317A-BN-XX
SCALE	1/2 (A4)	UNIT	mm	DES.: Face Plate, Blind, UL
		DRAWING NO. AKE317A-BN-XX		
		DRAWING CLASSIFICATION	S SHEET 1 OF 1	