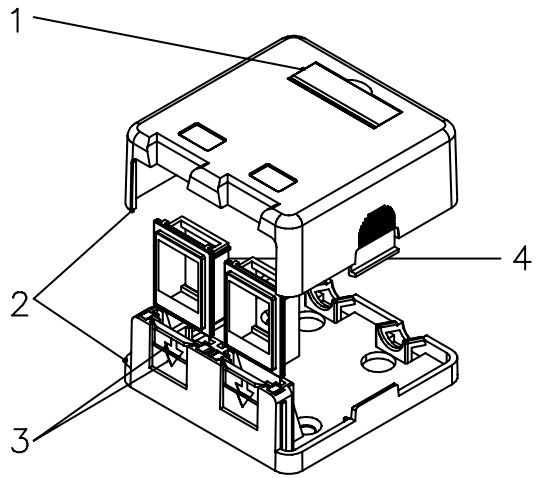
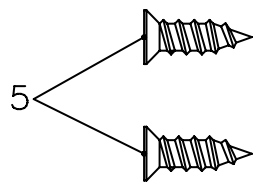
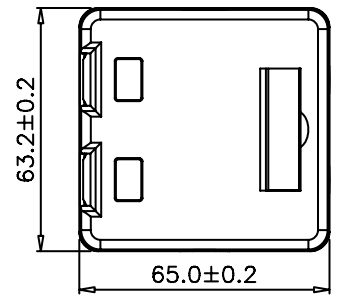


1 2 3 4 5 6

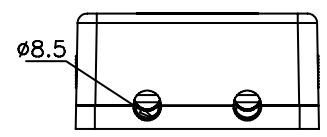
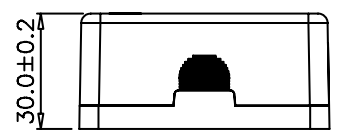
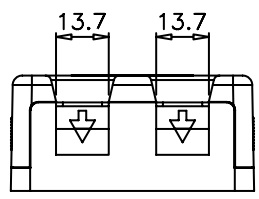
A



SCALE 1/2



SCALE 1/1



B

B

C

C

Specification :

Material :

- 1. Identification :
 - 1-1. I.D. Plate : PC, UL 94V-2, Transparent color.
 - 1-2. Paper.
- 2. Box : ABS, UL 94V-0, with white color.
- 3. Dust cover : ABS + PC, UL 94V-0.
- 4. Insert : ABS, UL 94V-0.
- 5. Screw : Ø4 X 14 mm.

GENERAL TOLERANCE OF DIMENSIONS x.xxx ±0.005 x.xx ±0.05 x.x ±0.1	DRAWING	12.JUL.2010	QIQI	KUWES
	CHECK	12.JUL.2010	JANE	
	APPROVAL	12.JUL.2010	JAIMY	
	DATE		NAME	ITEM NO.: AKE341-2-WH
SCALE	1/1 (A4)	UNIT	mm	DES.: SURFACE MOUNTED BOX
		DRAWING NO. AKE341-2-WH		
		DRAWING CLASSIFICATION	S SHEET 1 OF 1	

D

D

1 2 0 3 4 10cm 5 6